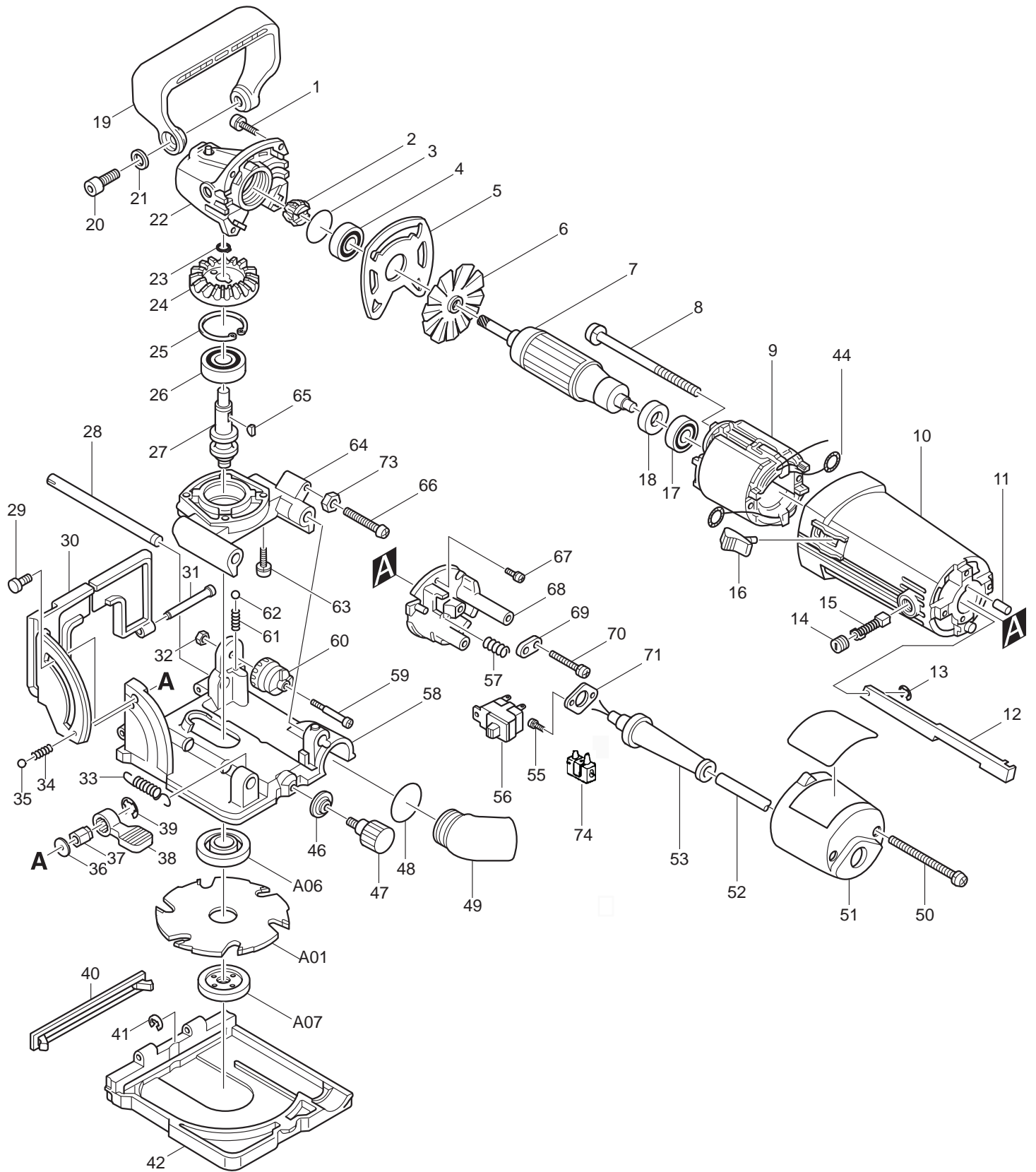




09 - 2010  
3901  
BISCUIT JOINER



| Item No | Type | Ref  | Part No  | Description                              | Qty | Unit |
|---------|------|------|----------|--|-----|------|
| 1       |      |      | 911136-9 | PAN HEAD SCREW M4X20                     | 4   | PC.  |
| 2       |      |      | 226708-0 | SPIRAL BEVEL GEAR 11                     | 1   | PC.  |
| 3       | 1    |      | 213407-3 | O RING 26                                | 1   | PC.  |
|         | 2    |      | 213445-5 | O RING 26                                | 1   | PC.  |
| 4       |      |      | 211088-7 | BALL BEARING 6000DDW                     | 1   | PC.  |
| 5       |      |      | 341398-9 | PLATE                                    | 1   | PC.  |
| 6       |      |      | 241509-5 | FAN 60                                   | 1   | PC.  |
| 7       |      |      | 517086-2 | ARMATURE ASS'Y 115V                      | 1   | PC.  |
|         |      | INC. |          | Item No. 6, 17, 18                       | 1   | PC.  |
| 8       |      |      | 911596-5 | PAN HEAD SCREW M4X70                     | 2   | PC.  |
| 9       |      |      | 593276-1 | FIELD ASS'Y 115V                         | 1   | PC.  |
|         |      | INC. | 654100-4 | RING TERMINAL                            | 2   | PC.  |
|         | 2    | INC. | 654555-3 | CONNECTOR 34130 (TYPE 2)                 | 2   | PC.  |
| 10      |      |      | 159283-0 | MOTOR HOUSING COMPLETE                   | 1   | PC.  |
|         | 2    | INC. | 643932-4 | BRUSH HOLDER 6X9 (TYPE2)                 | 2   | PC.  |
|         |      | INC. |          | Item No. 11                              | 1   | PC.  |
| 11      |      |      | 263002-9 | RUBBER PIN 4                             | 1   | PC.  |
| 12      |      |      | 414343-8 | SWITCH ROD                               | 1   | PC.  |
| 13      |      |      | 257903-1 | STOP RING E-2.3                          | 1   | PC.  |
| 14      |      |      | 643550-8 | BRUSH HOLDER CAP 5-8                     | 2   | PC.  |
| 15      | 1    |      | 191938-1 | CARBON BRUSH CB-408 2PC/SET (W/O ORIGIN) | 1   | SET  |
|         | 2    |      | 195008-8 | CARBON BRUSH CB-408 2PC/SET (W/ ORIGIN)  | 1   | SET  |
| 16      |      |      | 414663-0 | SWITCH LEVER                             | 1   | PC.  |
| 17      |      |      | 210025-8 | BALL BEARING 627LLB                      | 1   | PC.  |
| 18      |      |      | 681614-0 | INSULATION WASHER                        | 1   | PC.  |
| 19      |      |      | 415253-2 | GRIP                                     | 1   | PC.  |
| 20      |      |      | 922422-3 | HEX. SOCKET HEAD BOLT M8X16              | 2   | PC.  |
| 21      |      |      | 941202-8 | FLAT WASHER 8                            | 2   | PC.  |
| 22      | 1    |      | 157393-7 | GEAR HOUSING COMPLETE (TYPE1)            | 1   | PC.  |
|         |      | INC. | 212005-0 | NEEDLE BEARING 810                       | 1   | PC.  |
|         |      | INC. | 231464-9 | COMPRESSION SPRING 5                     | 1   | PC.  |
|         |      | INC. | 256616-1 | PIN 5                                    | 1   | PC.  |
|         |      | INC. | 343312-1 | CUP                                      | 1   | PC.  |
|         |      | INC. | *****    | Item No. 3                               | 1   | PC.  |
| 22      | 2    |      | 159743-2 | GEAR HOUSING COMPLETE (TYPE2)*           | 1   | PC.  |
|         |      | INC. | 212044-0 | NEEDLE BEARING 810                       | 1   | PC.  |
|         |      | INC. | 231464-9 | COMPRESSION SPRING 5                     | 1   | PC.  |
|         |      | INC. | 256695-9 | PIN 5                                    | 1   | PC.  |
|         |      | INC. | 343312-1 | CUP                                      | 1   | PC.  |
|         |      | INC. | *****    | Item No. 3                               | 1   | PC.  |
| 23      |      |      | 961052-5 | RETAINING RING S-12                      | 1   | PC.  |
| 24      |      |      | 226709-8 | SPIRAL BEVEL GEAR 36                     | 1   | PC.  |
| 25      |      |      | 962151-6 | RETAINING RING R-32                      | 1   | PC.  |
| 26      |      |      | 211106-1 | BALL BEARING 6201LLB                     | 1   | PC.  |
| 27      |      |      | 322737-2 | SPINDLE                                  | 1   | PC.  |
| 28      |      |      | 322657-0 | ROD 10                                   | 2   | PC.  |
| 29      |      |      | 251919-8 | CAP SQUARE NECK BOLT M6X20               | 1   | PC.  |
| 30      |      |      | 317045-4 | FENCE                                    | 1   | PC.  |
| 31      |      |      | 256689-4 | PIN 4                                    | 2   | PC.  |
| 32      |      |      | 931102-0 | HEX. NUT M4                              | 1   | PC.  |
| 33      |      |      | 231795-6 | TENSION SPRING 8                         | 2   | PC.  |
| 34      |      |      | 231282-5 | COMPRESSION SPRING 2.4                   | 1   | PC.  |
| 35      |      |      | 216001-0 | STEEL BALL 3.5                           | 1   | PC.  |
| 36      |      |      | 253804-1 | FLAT WASHER 6                            | 1   | PC.  |
| 37      |      |      | 252133-9 | HEX. NUT M6                              | 1   | PC.  |
| 38      |      |      | 272229-0 | LEVER 40                                 | 1   | PC.  |
| 39      |      |      | 961014-3 | STOP RING E-8                            | 1   | PC.  |

| Item No            | Type | Ref  | Part No   | Description   | Qty | Unit |
|--------------------|------|------|-----------|---|-----|------|
| 40                 |      |      | 162163-1  | RUBBER FACING   | 1   | PC.  |
| 41                 |      |      | 961017-7  | STOP RING E-3   | 2   | PC.  |
| 42                 |      |      | 317047-0  | BLADE COVER   | 1   | PC.  |
| 44                 |      |      | 654100-4  | GARTER SPRING   | 2   | PC.  |
| 46                 |      |      | 232131-9  | LEAF SPRING   | 1   | PC.  |
| 47                 |      |      | 265716-6  | SCREW M5X10   | 1   | PC.  |
| 48                 |      |      | 213008-7  | O RING 22.4   | 1   | PC.  |
| 49                 |      |      | 415252-4  | DUST NOZZLE   | 1   | PC.  |
| 50                 |      |      | 911188-0  | P.H. SCREW M4X60  | 2   | PC.  |
| 51                 |      |      | 414553-7  | REAR COVER  | 1   | PC.  |
| 52                 |      |      | 664064-4  | CORD W/PLUG 2P-18-2.5M, SJ  | 1   | PC.  |
| 53                 |      |      | 682502-4  | CORD GUARD 8-85   | 1   | PC.  |
| 54                 |      |      | 212044-0  | NEEDLE BEARING  | 1   | PC.  |
| 55                 |      |      | 911111-5  | P. H. SCREW M4X10   | 2   | PC.  |
| 56                 |      |      | 651460-5  | SWITCH  | 1   | PC.  |
| 57                 |      |      | 231223-1  | COMPRESSION SPRING 6  | 1   | PC.  |
| 58                 | 1    |      | 316495-0  | BASE, YELLOW-GRAY   | 1   | PC.  |
|                    | 2    |      | 317046-2  | BASE, SILVER  | 1   | PC.  |
| 59                 |      |      | 265026-1  | + PAN HEAD SCREW H4   | 1   | PC.  |
| 60                 |      |      | 316491-8  | STOPPER   | 1   | PC.  |
| 61                 |      |      | 231282-5  | COMPRESSION SPRING 2.4  | 1   | PC.  |
| 62                 |      |      | 216001-0  | STEEL BALL 3.5  | 1   | PC.  |
| 63                 | 1    |      | 911136-9  | P.H. SCREW M4X20 (With Washer) (TYPE1)  | 4   | PC.  |
|                    | 2    |      | 911140-8  | P.H. SCREW M4X20 (With Locktite) (TYPE2)  | 4   | PC.  |
| 64                 | 1    |      | 316493-4  | BEARING BOX, YELLOW-GRAY  | 1   | PC.  |
|                    | 2    |      | 317044-6  | BEARING BOX, SILVER   | 1   | PC.  |
| 65                 |      |      | 254002-0  | WOODRUFF KEY 3  | 1   | PC.  |
| 66                 |      |      | 911266-6  | PAN HEAD SCREW M5X45  | 1   | PC.  |
| 67                 |      |      | 911133-5  | PAN HEAD SCREW M4X18  | 2   | PC.  |
| 68                 |      |      | 414211-5  | SWITCH HOLDER   | 1   | PC.  |
| 69                 |      |      | 687002-9  | STRAIN RELIEF   | 1   | PC.  |
| 70                 |      |      | 911123-8  | P.H. SCREW M4X14  | 2   | PC.  |
| 71                 |      |      | 687637-6  | SET PLATE   | 1   | PC.  |
| 73                 |      |      | 931203-4  | HEX. NUT M5   | 1   | PC.  |
| 74                 |      |      | 654532-5  | TERMINAL BLOCK 1P (CORD - SWITCH)   | 1   | PC.  |
| 100                |      |      | 652021-4  | BIND SCREW 5-40 UNCX5 (SWITCH)  | 2   | PC.  |
| 101                |      |      | 654037-5  | INSULATED EYE TERMINAL FV1.25-M3 (SWITCH)   | 2   | PC.  |
| <b>ACCESSORIES</b> |      |      |           | <b>- See catalogue or visit <a href="http://www.makita.ca">www.makita.ca</a> for more accessories information -</b> |     |      |
| A01                | 1    |      | 793382-4  | 4" C.T. CUTTER BLADE 6 TEETH (22MM)   | 1   | PC.  |
|                    | 2    |      | B-12924   | 4" C.T. CUTTER BLADE 8 TEETH (22MM)   | 1   | PC.  |
|                    | 3    |      | A-94982   | 4" C.T. CUTTER BLADE 8 TEETH (22MM) (EN FR SP)  | 1   | PC.  |
|                    | 4    |      | A-95118   | 4" C.T. CUTTER BLADE 8 TEETH (22MM)   | 1   | PC.  |
|                    | Opt. |      | 792010-8  | 4 3/8" COMBINATION SAW BLADE 50 TEETH (20MM)  | 1   | PC.  |
|                    | Opt. |      | 792012-4  | 4 3/8" CROSS CUT SAW BLADE 60 TEETH (20MM)  | 1   | PC.  |
|                    | Opt. |      | 792015-8  | 4 3/8" C.T.SAW BLADE 4 TEETH (20MM)   | 1   | PC.  |
|                    | Opt. |      | 721107-6A | 4 3/8" C.T.SAW BLADE 24 TEETH (20MM)  | 1   | PC.  |
| A02                |      |      | 122474-6  | DUST BAG ASS'Y  | 1   | PC.  |
|                    |      | INC. | 410602-8  | FASTENER  | 1   | PC.  |
| A03                |      |      | 782401-1  | LOCK NUT WRENCH 20  | 1   | PC.  |
| A04                |      |      | 415579-2  | SET PLATE 4   | 1   | PC.  |

| Item No | Type | Ref | Part No  | Description           | Qty | Unit |
|---------|------|-----|----------|-----------------------|-----|------|
| A05     |      |     | 122557-2 | ANGLE GUIDE ASS'Y     | 1   | PC.  |
|         | INC. |     | 317038-8 | ANGULE GUIDE          | 1   | PC.  |
|         | INC. |     | 816742-4 | SCALE LEBEL "INCH"    | 1   | PC.  |
|         | INC. |     | 921332-1 | HEX. BOLT             | 1   | PC.  |
|         | INC. |     | 316492-6 | CLAMP                 | 1   | PC.  |
|         | INC. |     | 226217-9 | SPUR GEAR 16          | 1   | PC.  |
|         | INC. |     | 961017-7 | STOP RING E-3         | 1   | PC.  |
|         | INC. |     | 253186-1 | FLAT WASHER 7         | 1   | PC.  |
|         | INC. |     | 271415-0 | KNOB                  | 1   | PC.  |
|         | INC. |     | 232130-1 | LEAF SPRING           | 1   | PC.  |
|         | INC. |     | 253804-1 | FLATWASHER 7          | 1   | PC.  |
|         | INC. |     | 252133-9 | HEX. NUT M6           | 1   | PC.  |
|         | INC. |     | 272229-0 | LEVER 40              | 1   | PC.  |
|         | INC. |     | 961014-3 | STOP RING E-8         | 1   | PC.  |
| A06     |      |     | 224280-6 | INNER FLANGE 40       | 1   | PC.  |
| A07     |      |     | 224505-8 | LOCK NUT 10-40        | 1   | PC.  |
| A08     |      |     | A00471-9 | PLASTIC CARRYING CASE | 1   | PC.  |